



RECHARGEABLE SEALED LEAD ACID BATTERY

Revision 1.2



WP26-12

Specifications

Nominal Voltage (V) 12V

Nominal Capacity

20hour rate (1.3A	to	10.50V)	26Ah
10hour rate (2.6A	to	10.50V)	24.7Ah
5hour rate (4.42A	to	10.20V)	22.1Ah
1C (26A	to	9.60V)	14.73Ah
3C (78A	to	9.60V)	10.4Ah

Weight Approx. 9.327kg(20.52Lbs.)

Internal Resistance (at 1KHz) 8 mΩ

Maximum Discharge Current for 5 seconds : 327A

Operating Temperature Range

Charge	-15°C (5°F) to	40°C (104°F)
Discharge	-15°C (5°F) to	50°C (122°F)
Storage	-15°C (5°F) to	40°C (104°F)

Charge Retention (shelf life) at 20°C (68°F)

1 month	92%
3 month	90%
6 month	80%

Charging Methods at 20°C(68°F)

Cycle use:

Charging Voltage 14.4 to 15.0V
Maximum Charging Current : 7.8A

Standby use :

Float Charging Voltage 13.50 to 13.80V

Life expectancy :

Cycle Use :

100% depth of discharge 200 cycles
80% depth of discharge 225 cycles
50% depth of discharge 500 cycles

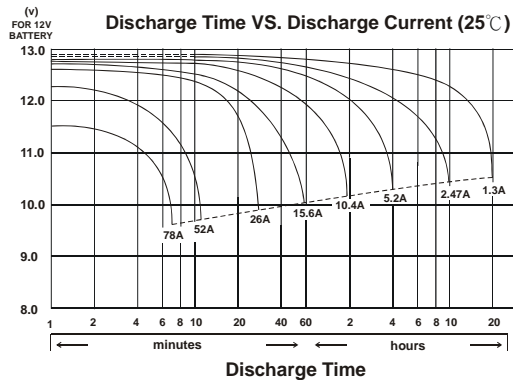
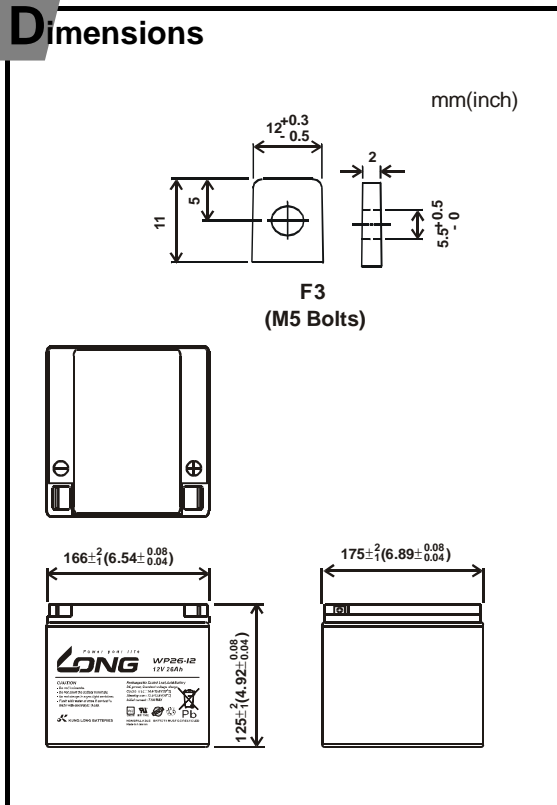
Standby Use : 3~5years

Case Material ABS

(Option : 94-HB & 94V-0 flame retardant case)

Terminal F3

Dimensions





RECHARGEABLE SEALED LEAD ACID BATTERY

Revision 1.2

All data on the spec. sheet is an average value:

The tolerance range : $X < 6\text{min}(+15\% \sim -15\%)$, $6\text{min} \leq X < 10\text{min}(+12\% \sim -12\%)$, $10\text{min} \leq X < 60\text{min}(+8\% \sim -8\%)$, $X \geq 60\text{min}(+5\% \sim -5\%)$

PERFORMANCE DATA

Discharge Rates in Watts to Various End Voltages at 25°C

End Voltage		11.10V	10.80V	10.50V	10.20V	9.90V	9.60V
Time							
5	min	768	876	933	983	1050	1117
10	min	577	622	695	721	745	775
15	min	438	488	532	553	573	592
30	min	237	254	274	293	317	342
60	min	173	181	184	185	186	187
120	min	117	121	123	124	124	124
180	min	70.9	73.7	74.8	75.3	75.8	76.4
240	min	58.8	59.8	60.3	60.7	61.3	61.6
300	min	50.8	52.4	52.9	53.1	53.2	53.3
600	min	28.8	29.7	30.2	30.4	30.5	30.6
1200	min	15.2	15.4	15.6	15.8	15.8	15.9

Discharge Rates in Amperes to Various End Voltages at 25°C

End Voltage		11.10V	10.80V	10.50V	10.20V	9.90V	9.60V
Time							
5	min	66.8	76.2	81.1	85.5	91.3	97.1
10	min	50.2	54.1	60.4	62.7	64.8	67.4
15	min	38.1	42.4	46.3	48.1	49.8	51.5
30	min	20.6	22.1	23.8	25.5	27.6	29.7
60	min	15.1	15.7	16.0	16.1	16.2	16.2
120	min	10.1	10.5	10.7	10.7	10.8	10.8
180	min	6.16	6.41	6.51	6.55	6.59	6.64
240	min	5.11	5.20	5.24	5.28	5.33	5.36
300	min	4.42	4.56	4.60	4.62	4.63	4.64
600	min	2.50	2.58	2.62	2.64	2.65	2.66
1200	min	1.32	1.34	1.36	1.37	1.37	1.38

廣隆光電科技股份有限公司 Kung Long Batteries Industrial Co., Ltd.

南投市自立三路 6 號 NO. 6 TZU-LI 3 ROAD NANTOU CITY TAIWAN TEL: +886-49-2254777 ~8 FAX: +886-49-2255139

Contents in this data sheet are subject to change for improvement without prior notice to users. For clarifications and updated information, please contact us.